



Drafting Virtual Learning

HS Machine Drafting

Design Lesson 2

April 7 , 2020

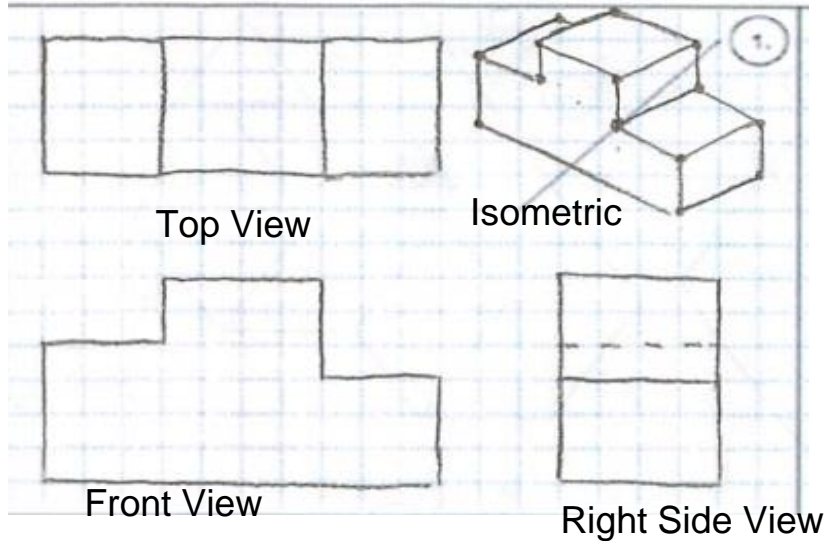


Objective/Learning Target:

Students will continue to Draw Complex Multi-View Sheet Drawings with Isometrics.

Bellwork:

This example should be copied in your engineers notebook or on graph paper. Make sure you layout a Multi-View Sheet Drawing like this.



Multi-View Drawing Example

Let's Get Started:

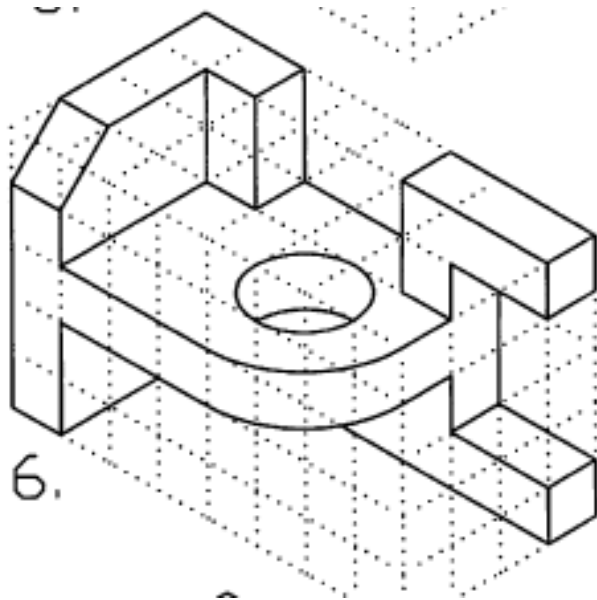
This video showed how to create multi-view drawings.

<https://www.youtube.com/watch?v=Evqg0L4KMI8>

Notice the placement of the Front, Top and Right Side Views in relation to the Isometric.

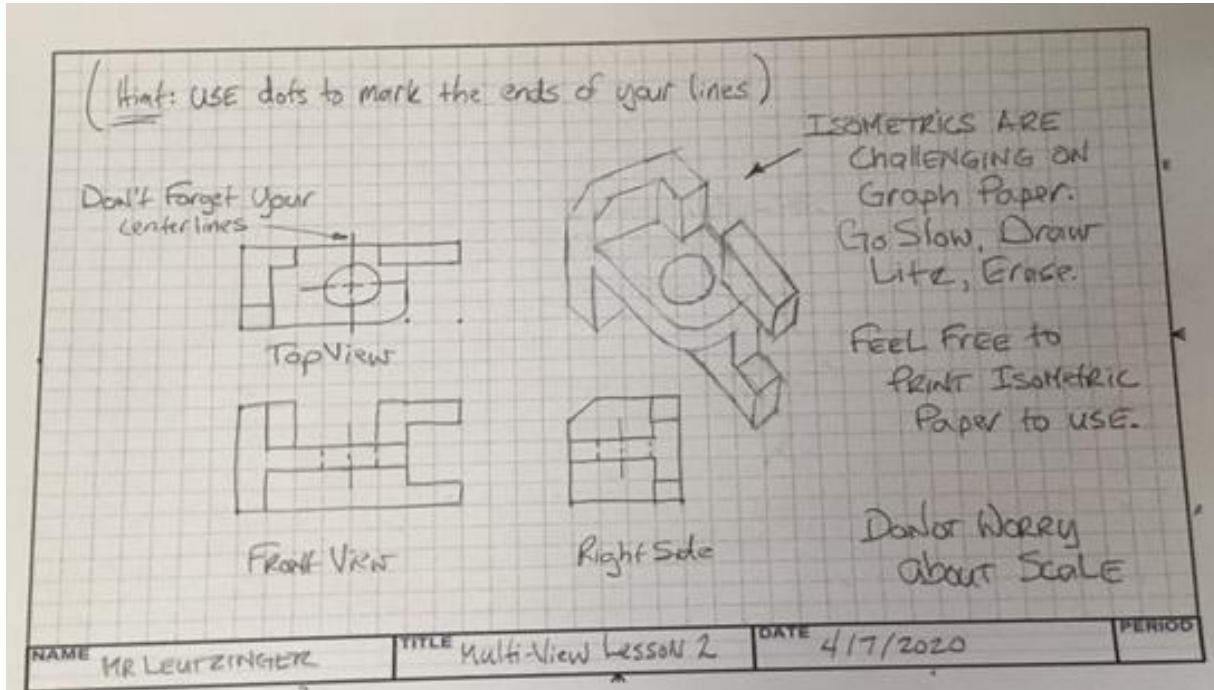
Learning Practice:

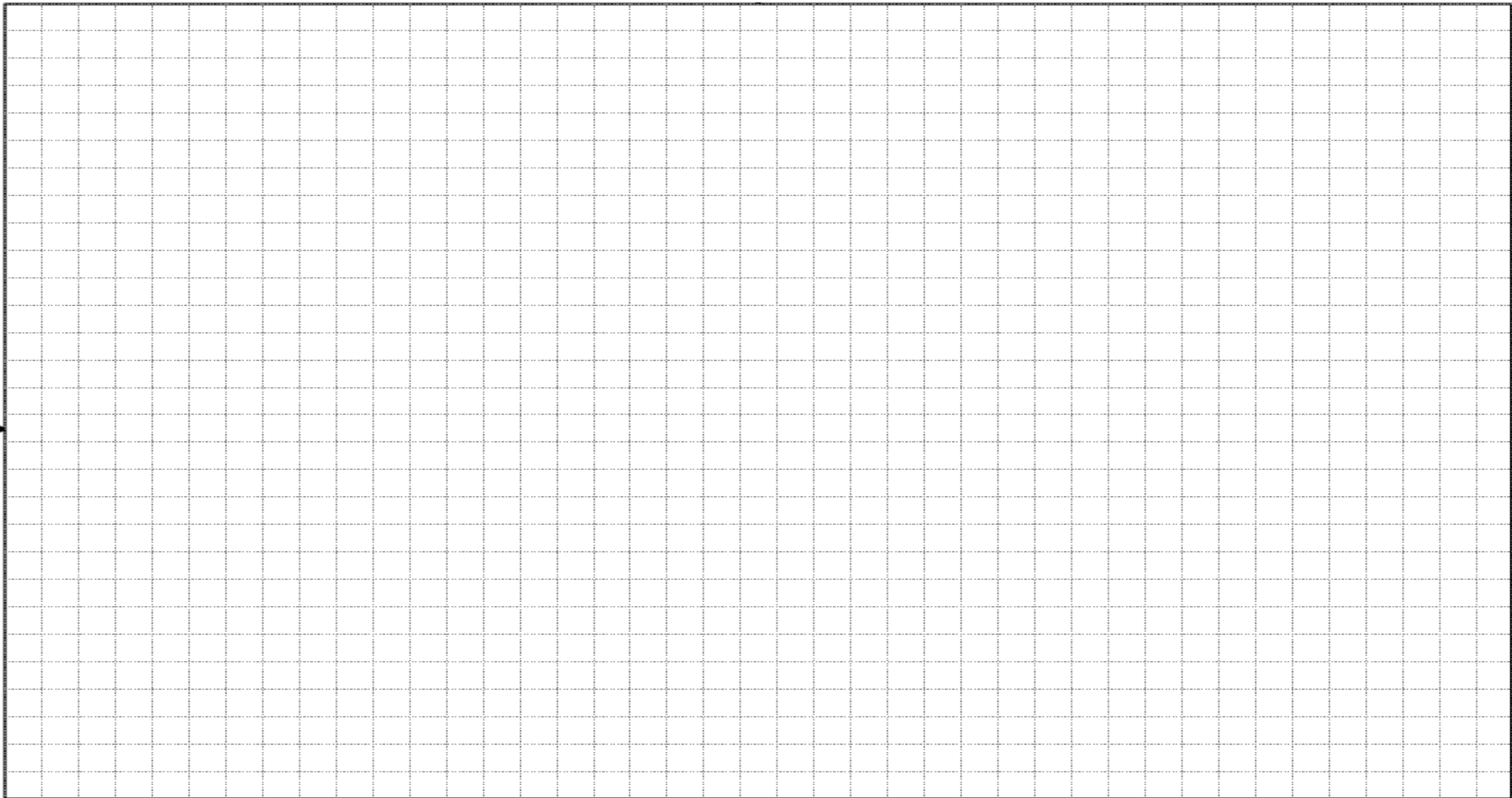
Create a Multi-View Sheet Drawing
in Your Engineers Notebook or on the graph that you print
from page 7 or the link provided on page 8.



Check For Understanding:

Does your drawing look like this?





NAME

TITLE

DATE

PERIOD

Learning Resource Links:

Multi-View Drawing Creation

<https://www.youtube.com/watch?v=Evqg0L4KMI8>

Grid and Isometric Graph paper

https://www.printablepaper.net/category/isometric_graph